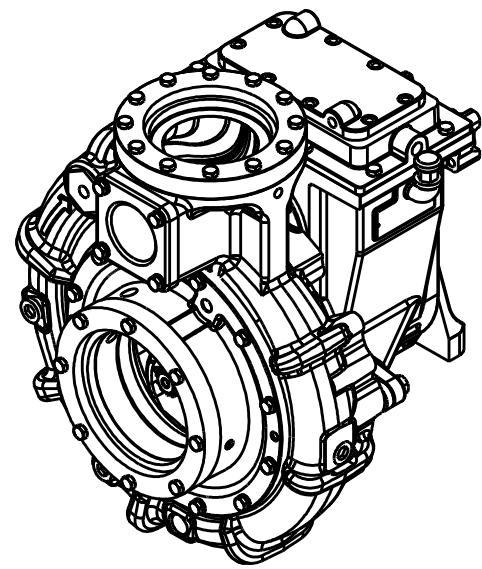
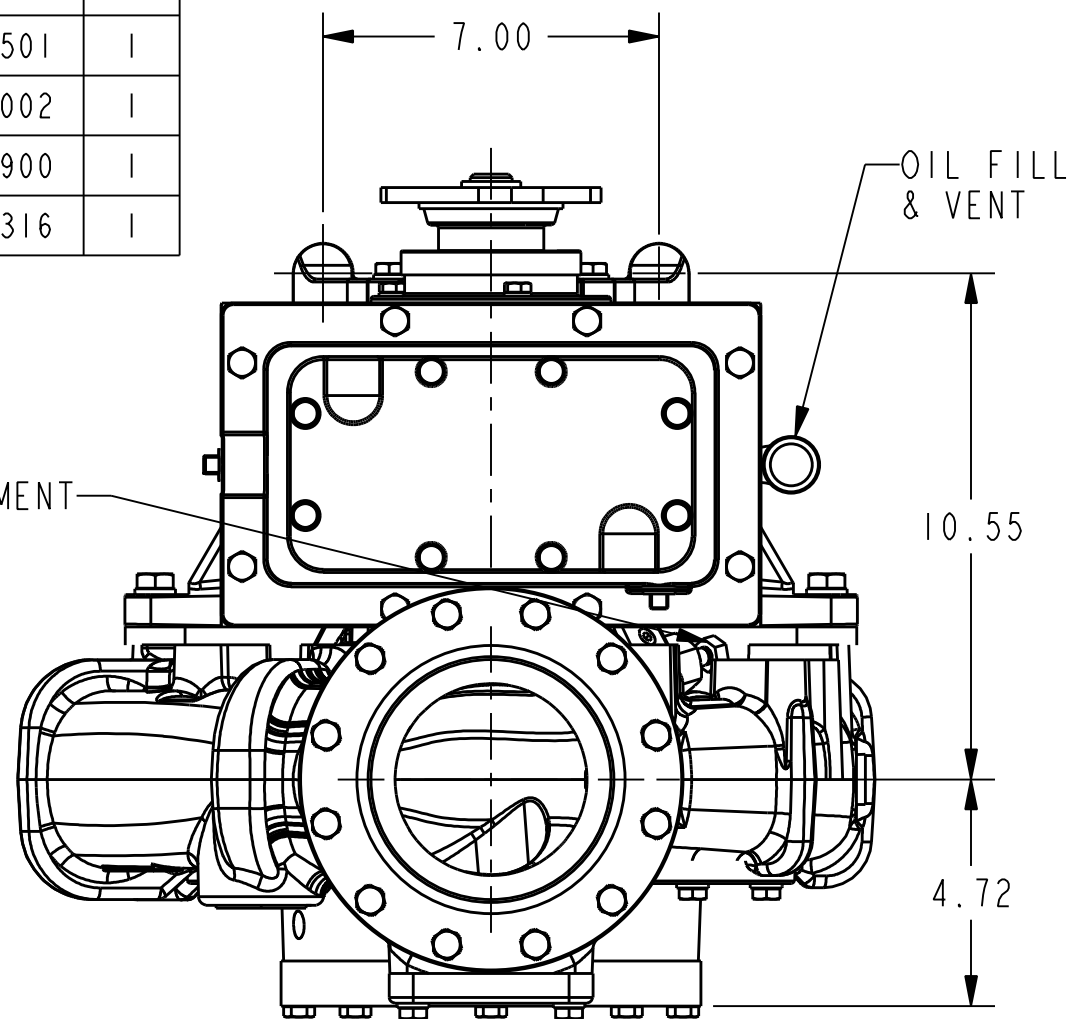


NO.	DESCRIPTION	PART NO.	QTY.
1	ASSY - FLANGE COVER, BLANK CI	YF00601	1
2	ASSY - FLANGE, 5"WELD, STEEL	YF00142	1
3	ASSY - FLANGE, 6"WELD, STEEL	YF01501	1
4	GEARCASE - 2 GEAR, PS	1802002	1
5	HEAT EXCHANGER - LDM TRANS	4218900	1
6	TACH - PSP, 2 GR, NO TACH	AT00316	1

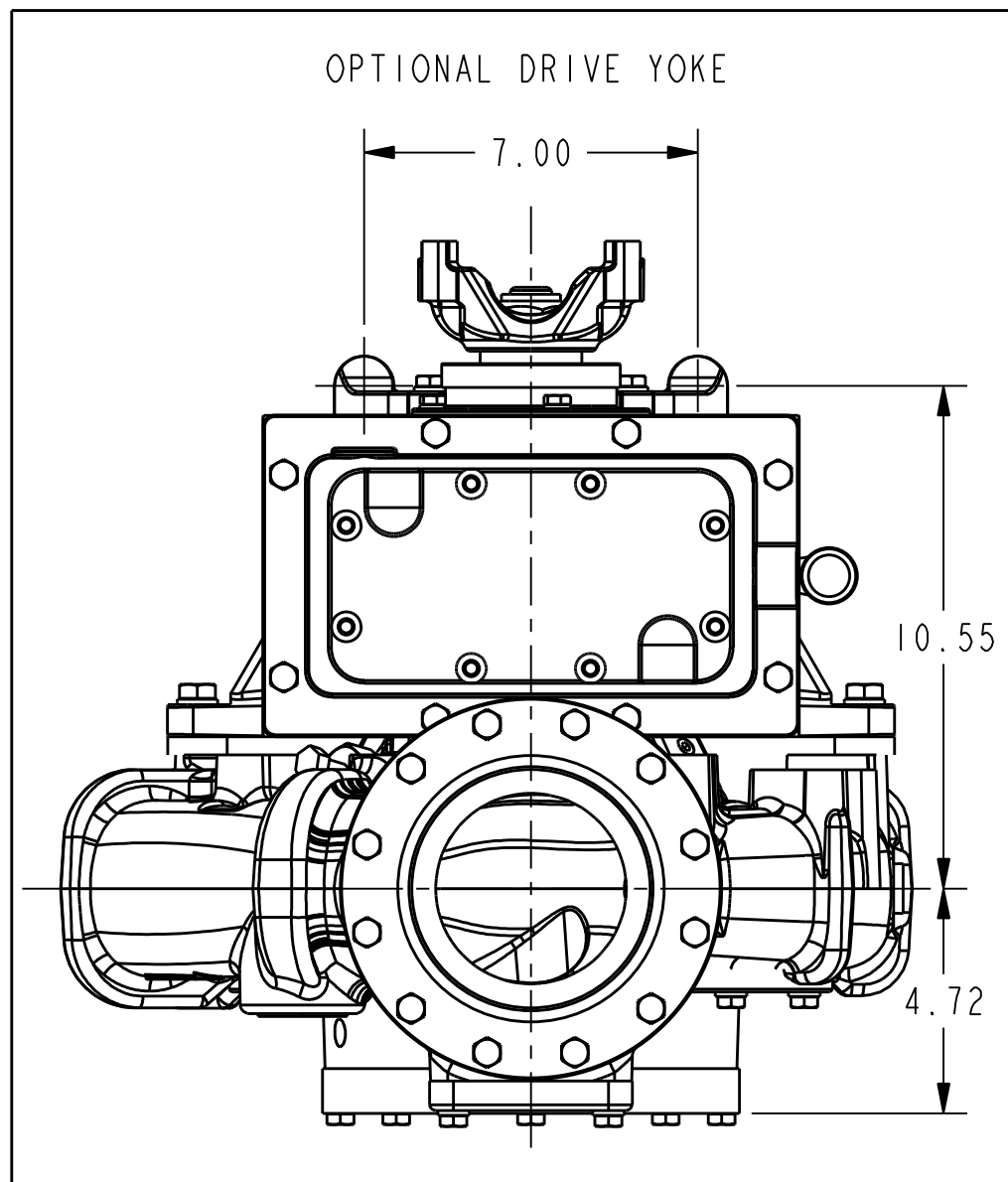


SCALE 1/8

PACKING ADJUSTMENT

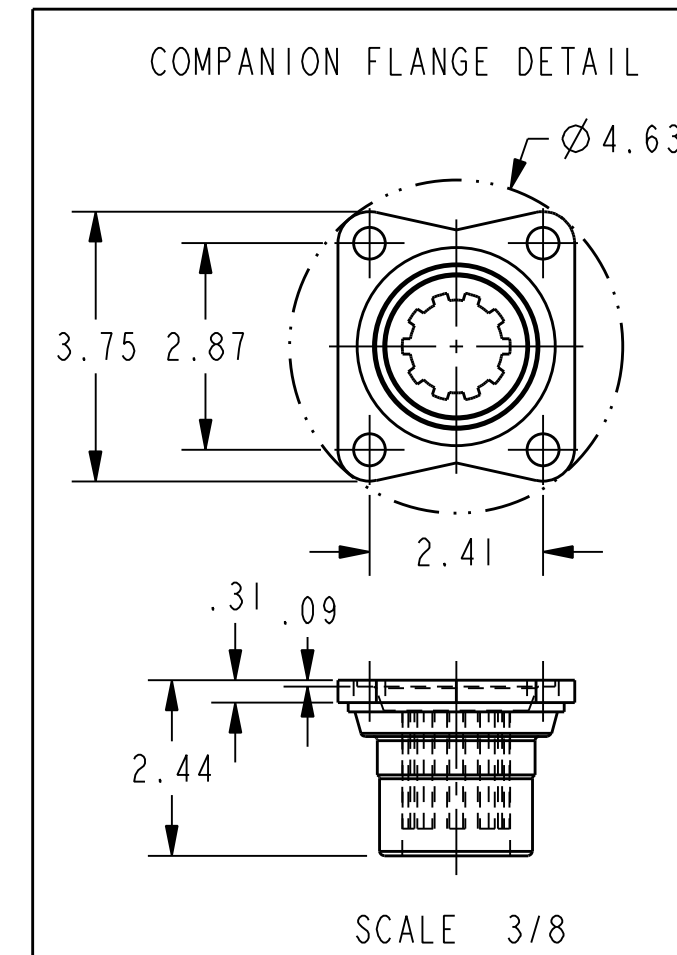


OPTIONAL DRIVE YOKE



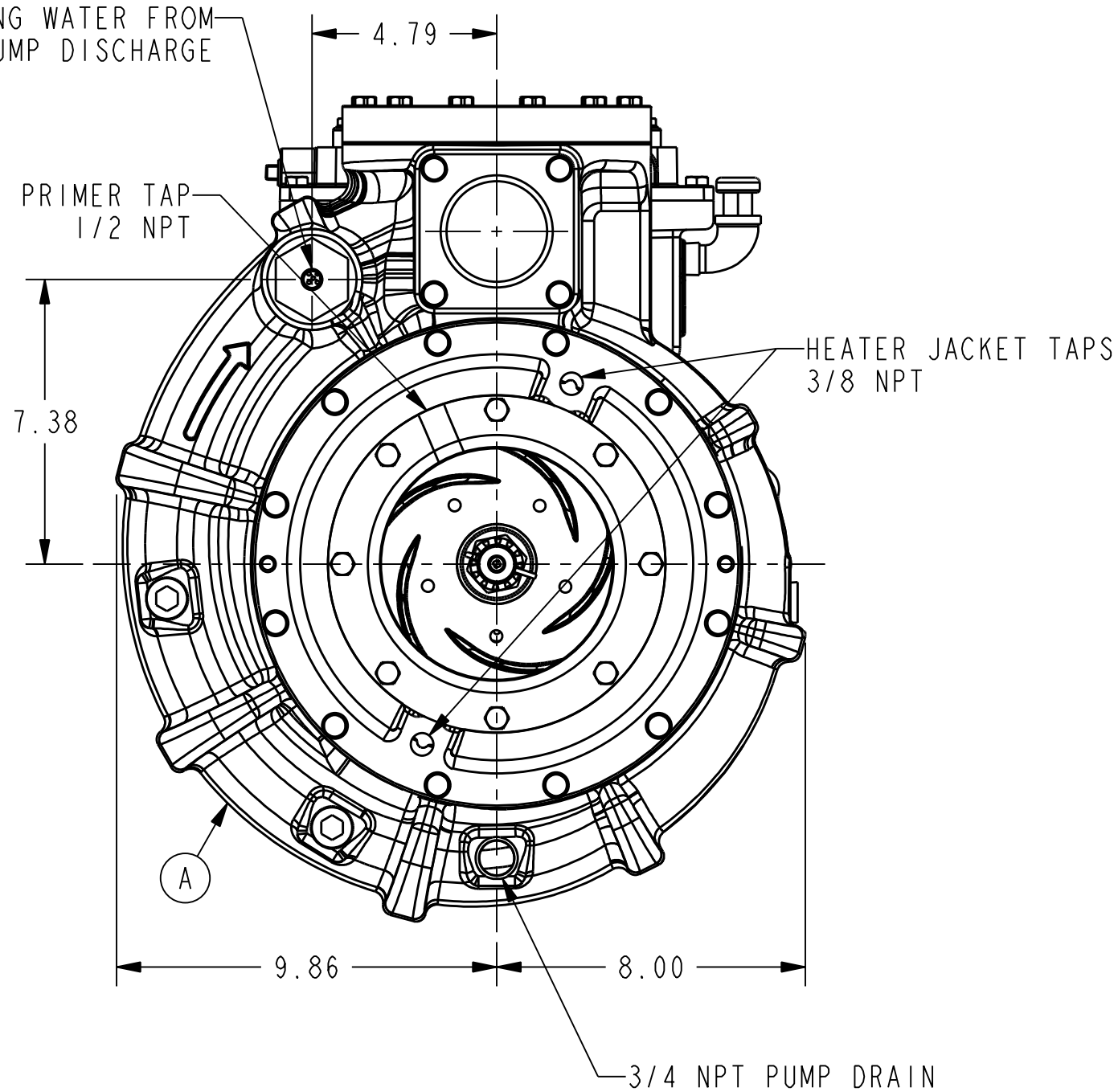
REVISIONS				
LTR	DESCRIPTION	DATE	CHG NO.	APPR'D
A	2056700 PUMP CASING WAS 2054510	8/23/13	10263	CWY

COMPANION FLANGE DETAIL

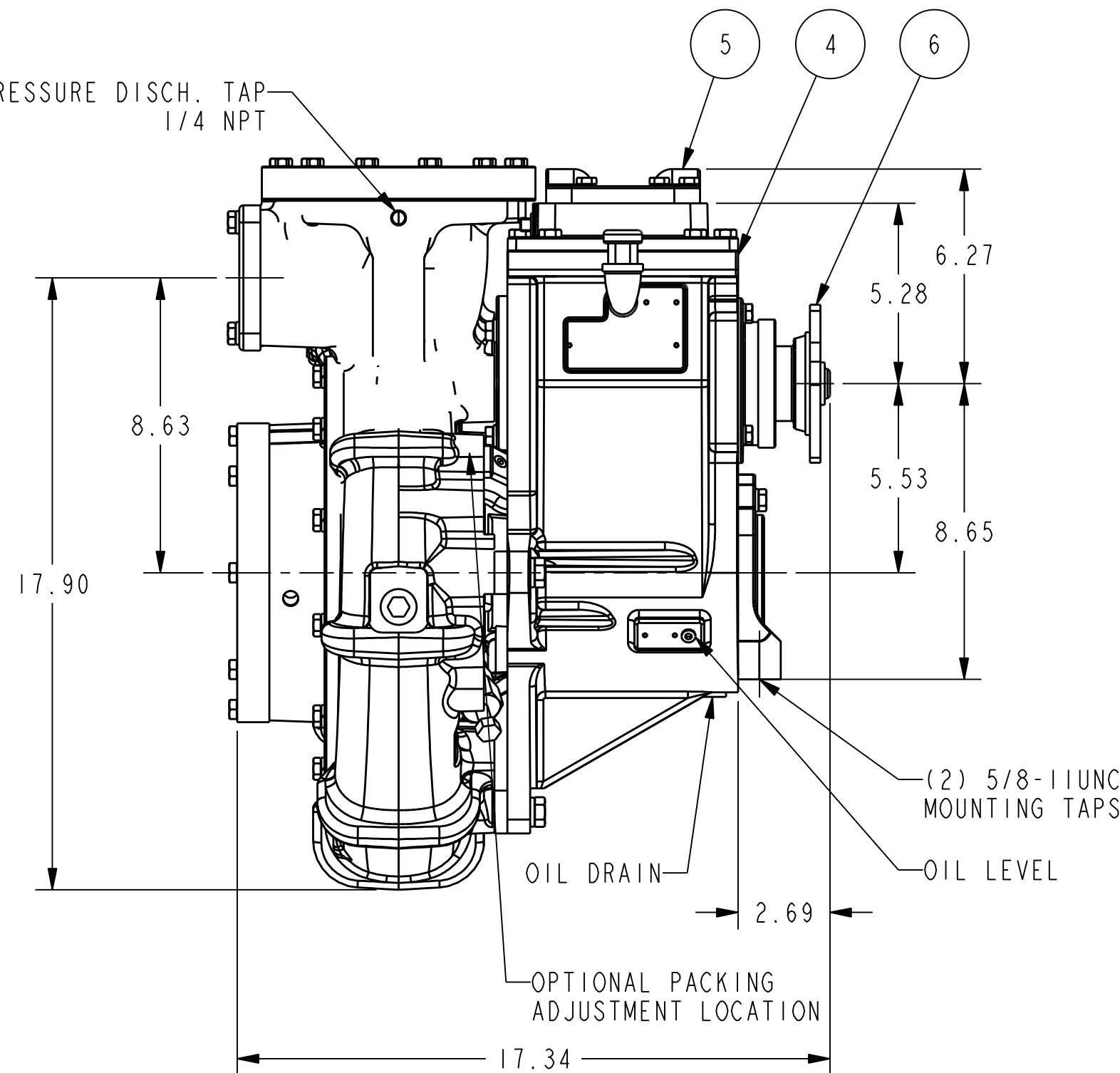


COOLING WATER FROM PUMP DISCHARGE

PRIMER TAP 1/2 NPT



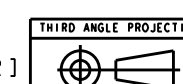
PRESSURE DISCH. TAP 1/4 NPT



NOTE: SHOWN WITH OPTIONAL COOLER.  
COOLER STANDARD ON 1500 GPM RATED PUMP.  
OPTIONAL 5" AND 6" NPT FLANGES AVAILABLE

REMOVE SHARP EDGES

INCH  
[MILLIMETER]



OLD PART NO.

TOLERANCE  
EXCEPT  
AS NOTED  
.00 ±.03  
.000 ±.010  
ANGLES ±1°

W.S. Darley & Co.  
ITASCA, IL - CHIPPEWA FALLS, WI  
DWG - PSP, 2GR LOCK ON, NO TACH  
DIMENSIONAL

MATERIAL DESCRIPTION:

MATERIAL NO.

PATTERN NO.

THIS DESIGN IS THE PROPERTY OF  
W.S. DARLEY AND CO. - UNAUTHORIZED  
REPRODUCTION IS PROHIBITED

ALL DIMENSIONS IN  
INCHES UNLESS NOTED

DO NOT SCALE PRINT

DR: N AAN  
CHKD: MCR  
TRCD

DATE 24-Aug-10  
SCALE 1/4

DPD1112

MODEL NAME MDL CREATED SHEET  
DPD1112\_DRIVEYOKE 24-Aug-10 1/1 C