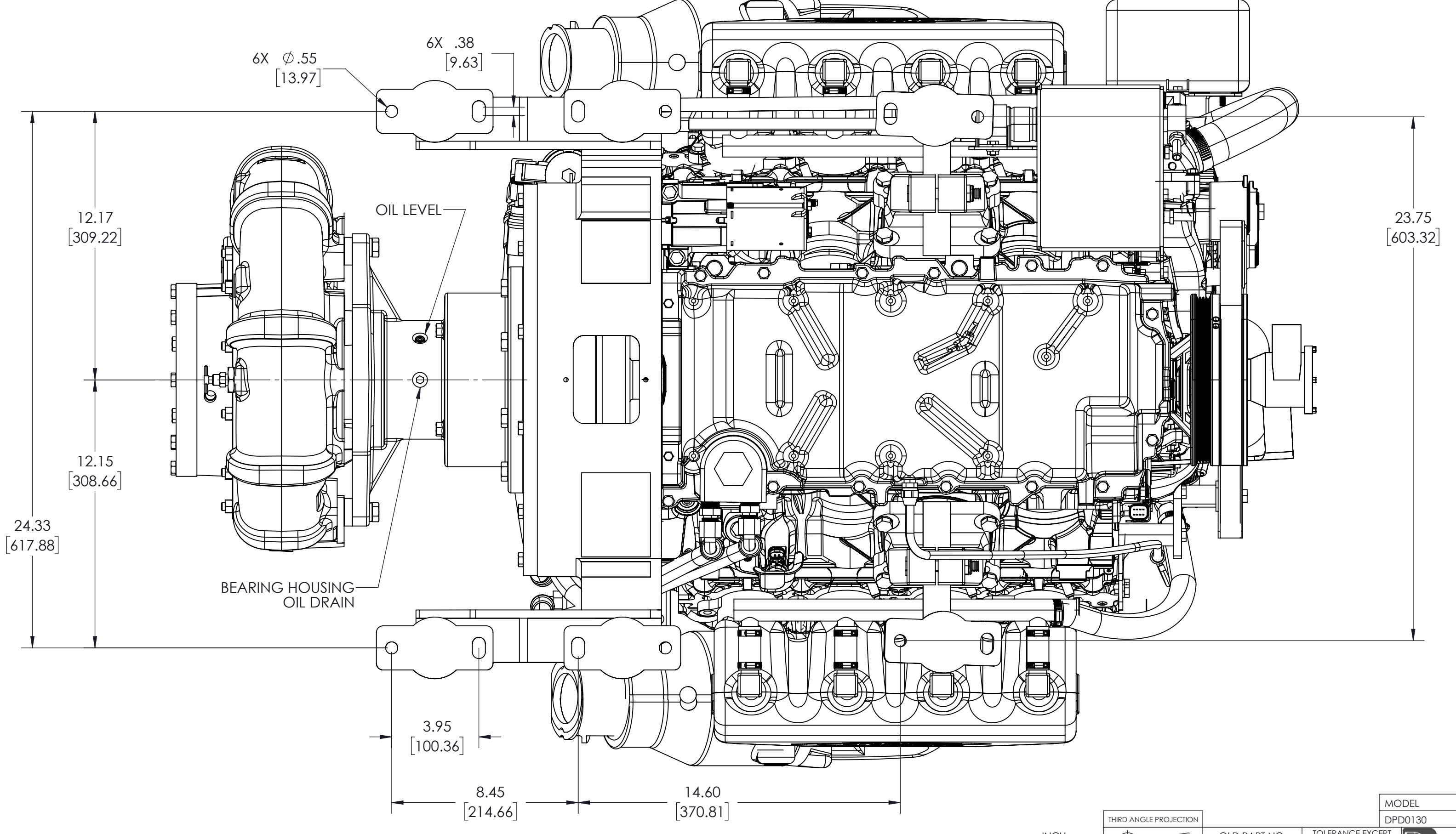
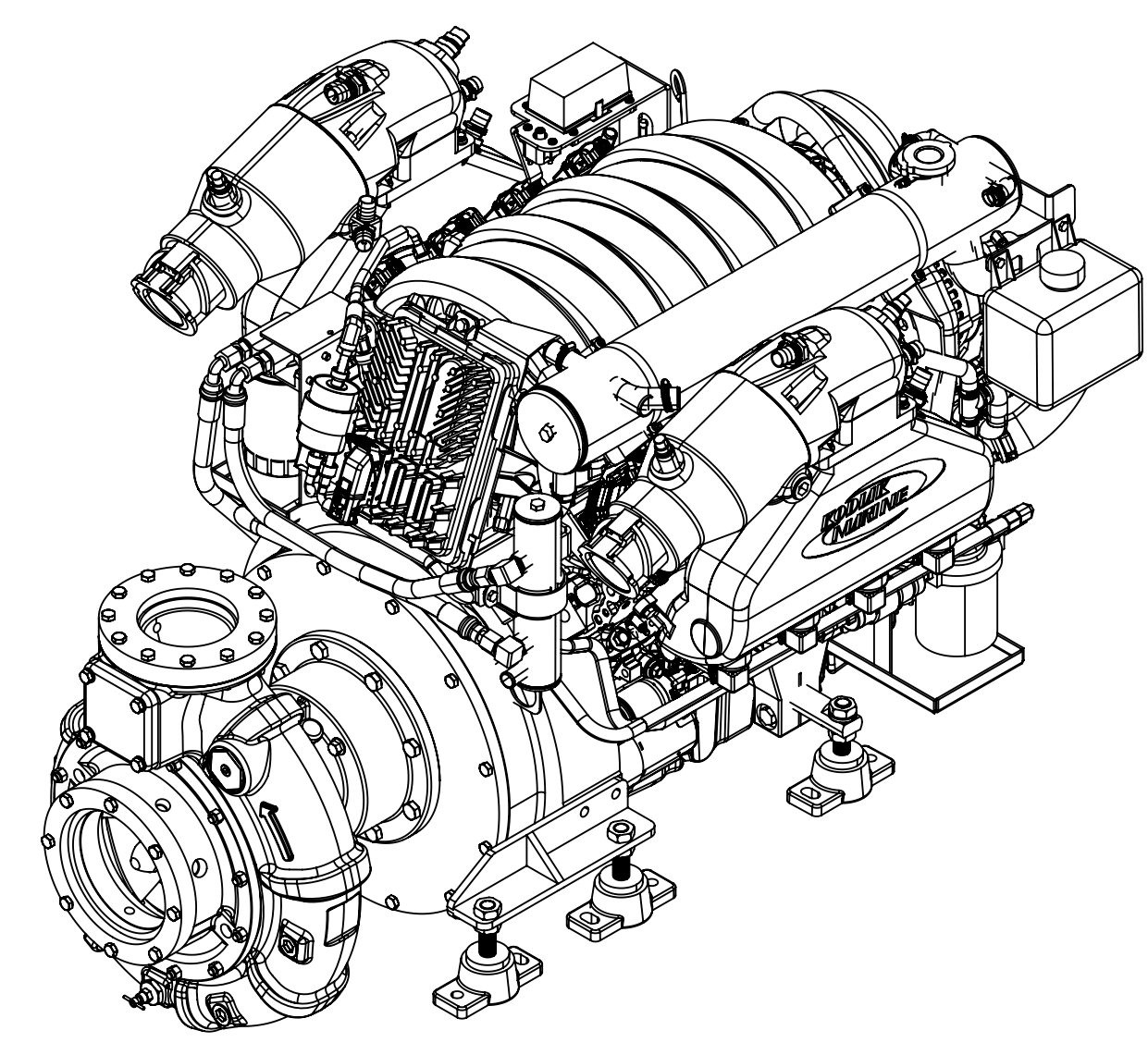
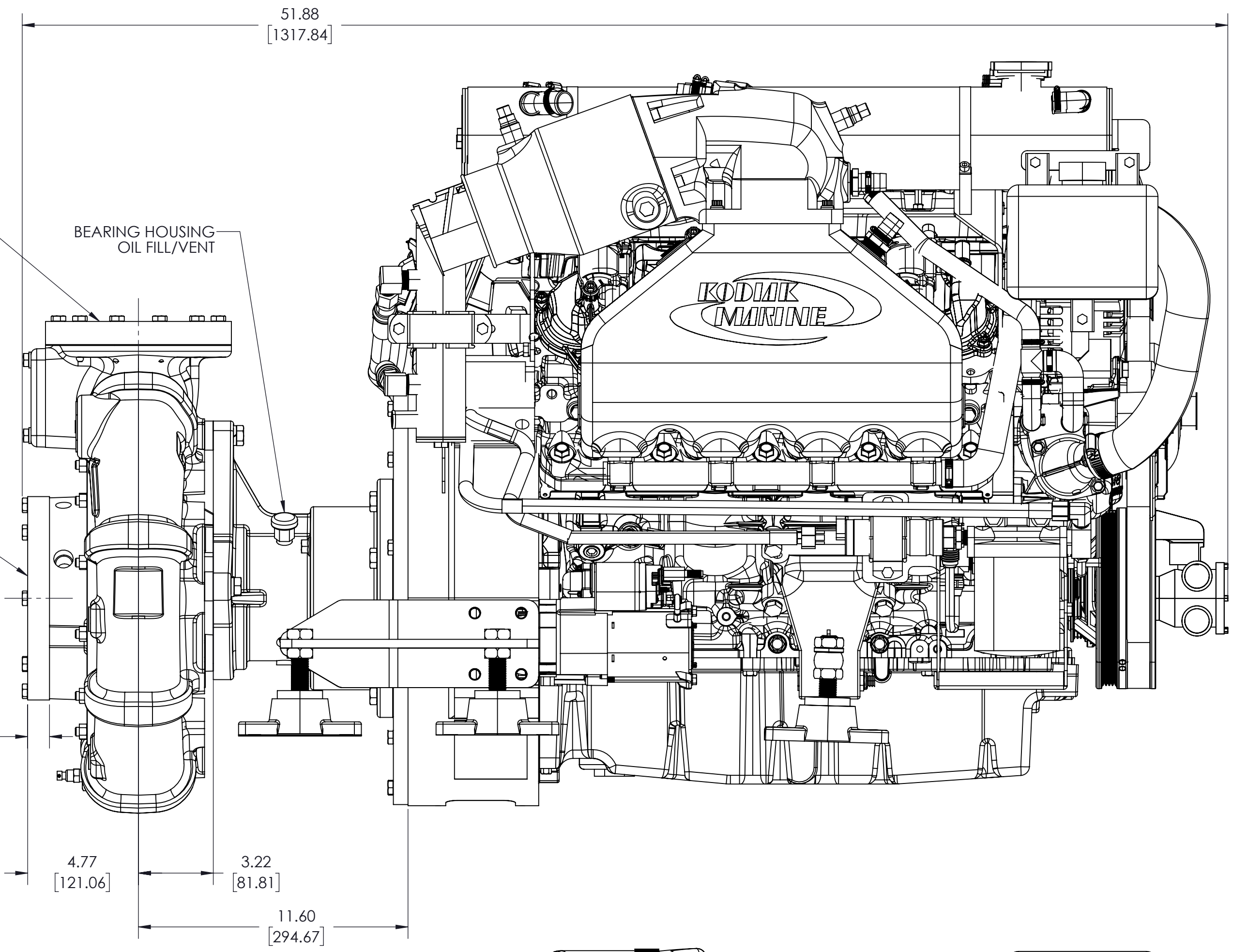


4.00" WELD DISCHARGE  
OPTIONS AVAILABLE

6.00" WELD SUCTION  
OPTIONS AVAILABLE



ASSEMBLIES SHOWN:  
 4214134 - KEM 6.2 ENGINE  
 PT01013 - PUMP  
 TE01000 - BEARING HOUSING  
 YF00622 - BLANK RV FLANGE  
 YF00145 - DISCHARGE FLANGE  
 YF01511 - SUCTION FLANGE

THIRD ANGLE PROJECTION		MODEL	SHEET
OLD PART NO.		DPD0130	1/1 D
TOLERANCE EXCEPT AS NOTED		<b>Darley</b> <i>ITASCA, IL</i> <i>CHIPPewa FALLS, WI</i>	
MATERIAL NO.		DWG - PSDE, KEM 6.2 LITER	
PATTERN NO.		NO RV	
DRWN		DATE: 05/20/2024	
CKHD		SCALE: 1:4	
SLS		DPD0130	
TRCD			

REMOVE SHARP EDGES

INCH [MILLIMETER]

MASS

1105.69 LBS

THIS DESIGN IS THE PROPERTY OF WS DARLEY CO. - UNAUTHORIZED REPRODUCTION IS PROHIBITED

DO NOT SCALE PRINT