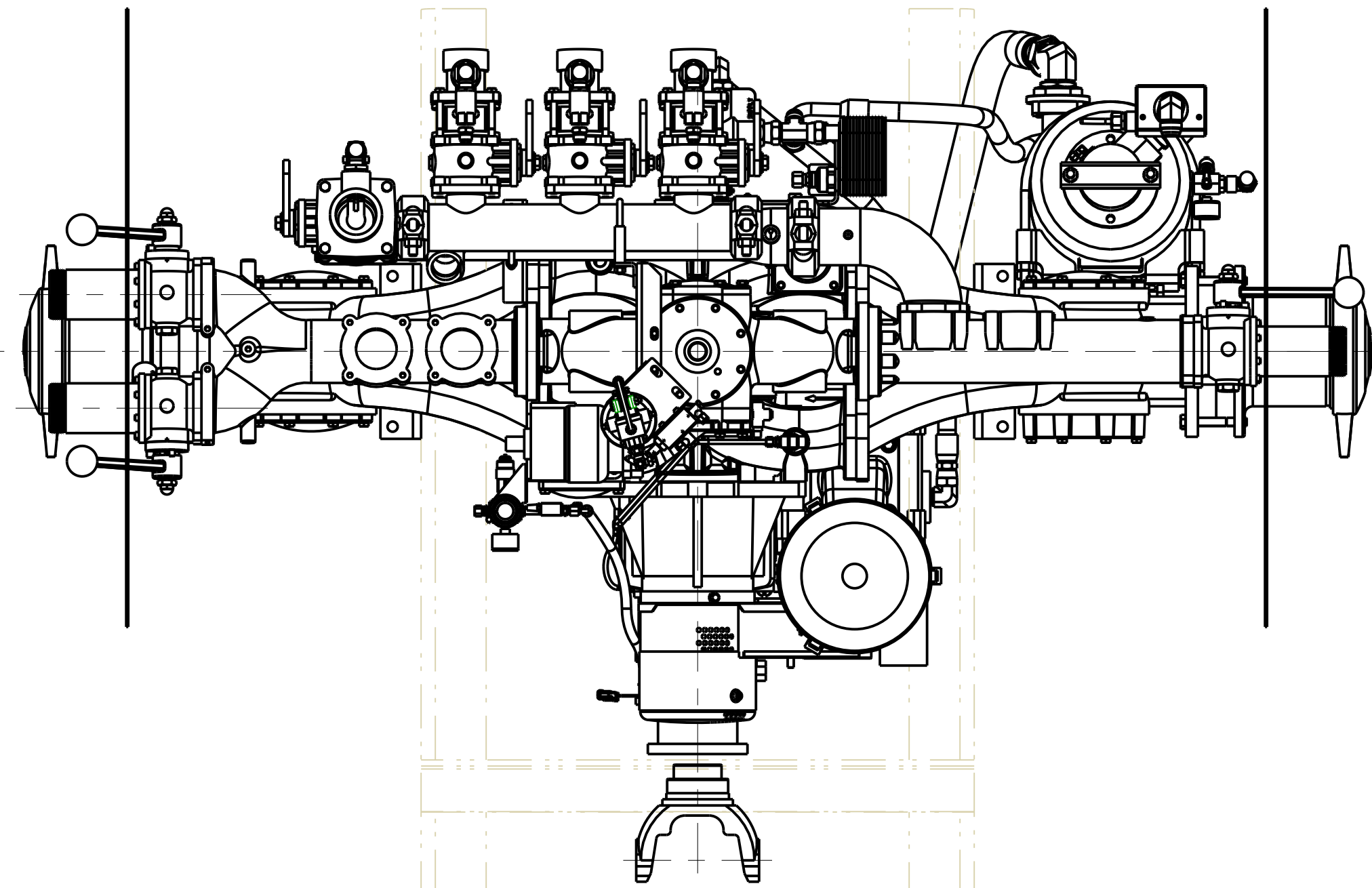
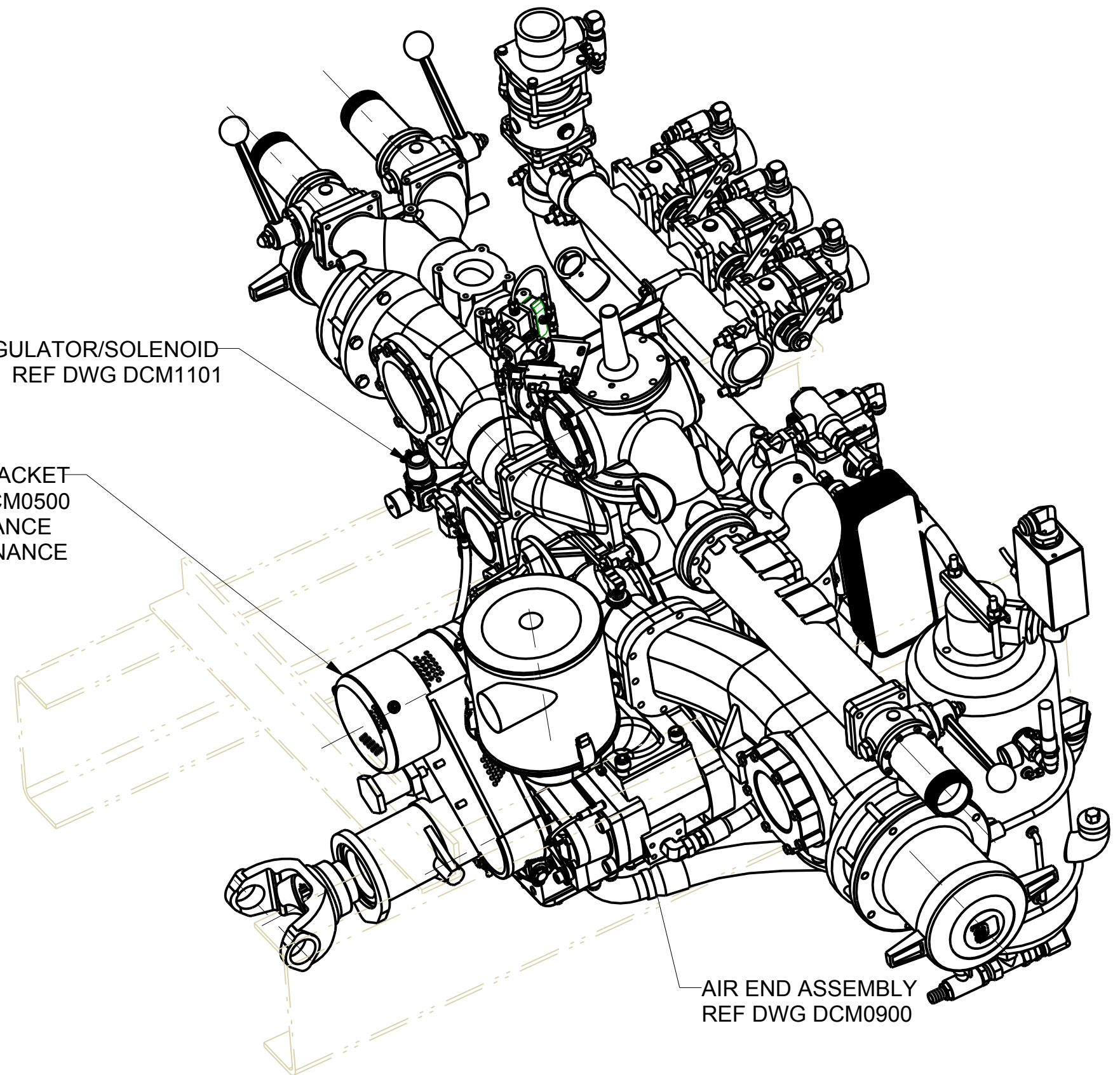


REVISIONS				
LTR	DESCRIPTION	DATE	CHG NO.	APPRD
A	REPLACED SUCTION HEADS WITH 2810110 ADDED COVER ASSEMBLY	16JUN11	7433	EAS2
B	ADDED SPACERS - PART NO. 3301201	16JUN11	7433	EAS2



AIR CLUTCH REGULATOR/SOLENOID  
REF DWG DCM1101

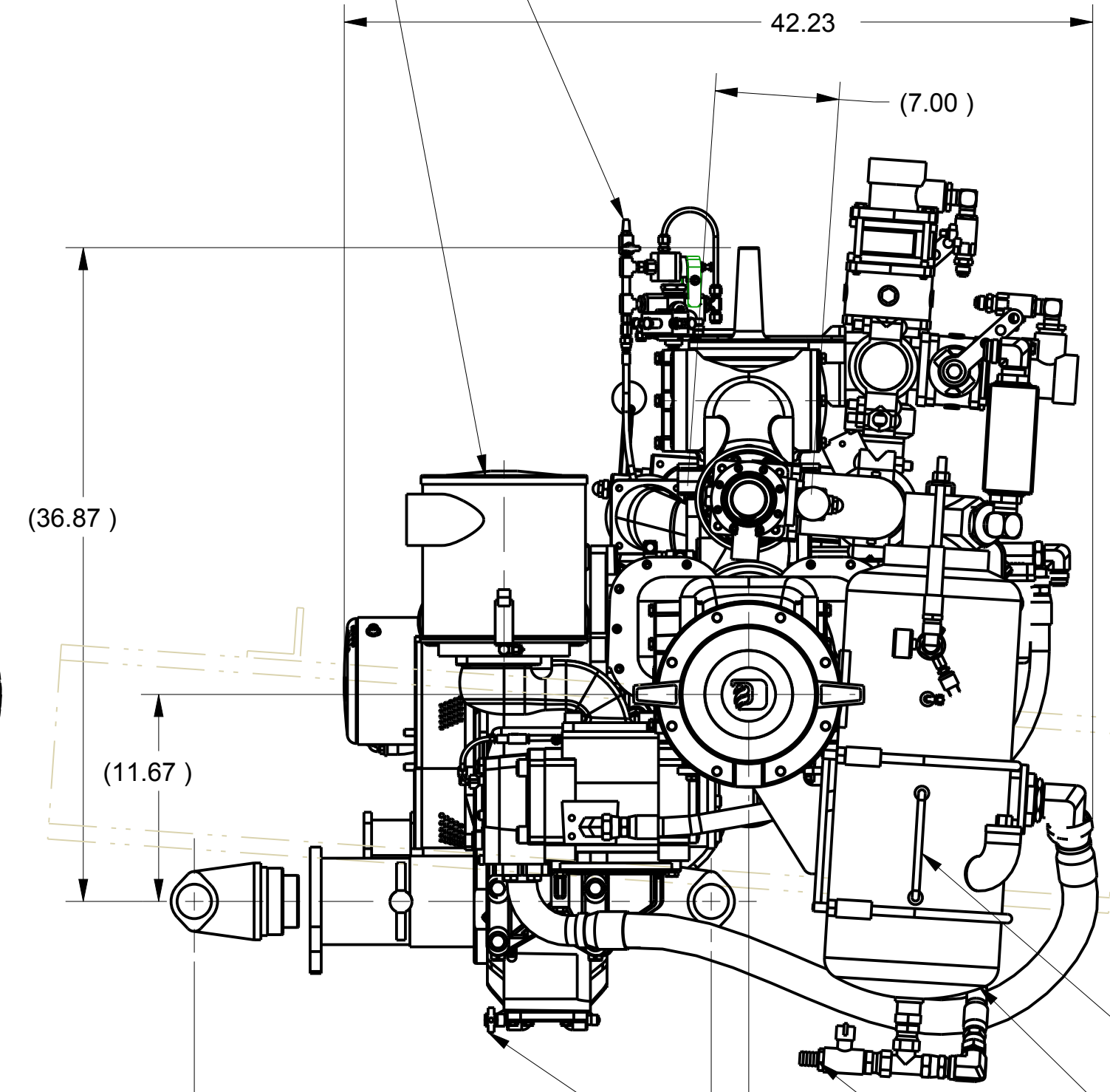
BELT COVER/BRACKET  
REF DWG DCM0500  
ALLOW 2.50 INCH REAR CLEARANCE  
FOR BELT/CLUTCH MAINTENANCE



AIR END ASSEMBLY  
REF DWG DCM0900

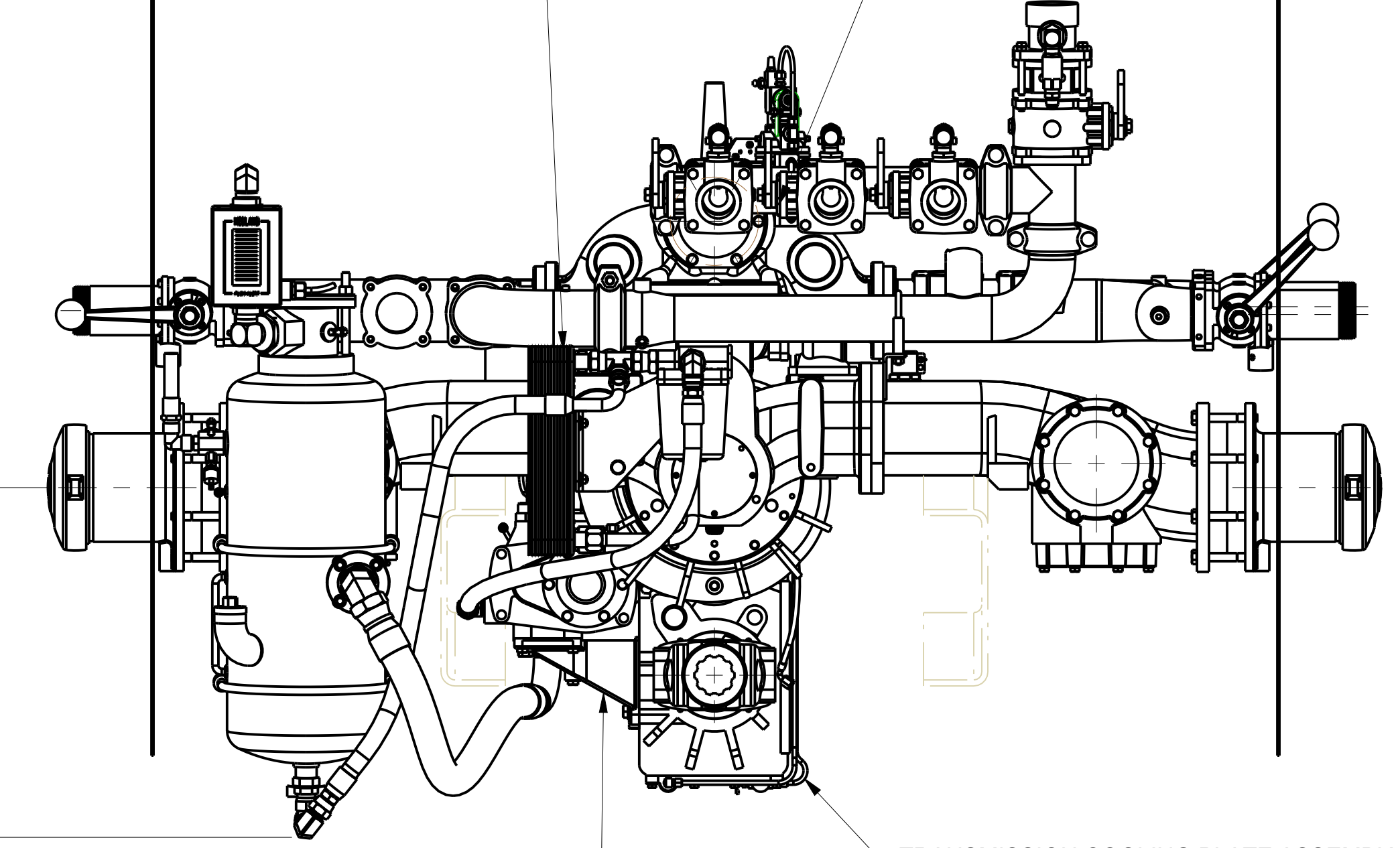
PRESSURE CONTROL ASSEMBLY  
REF DWG DCM1001, DCS0502

AIR INLET VALVE/FILTER ASSEMBLY  
REF DWG DCM0103

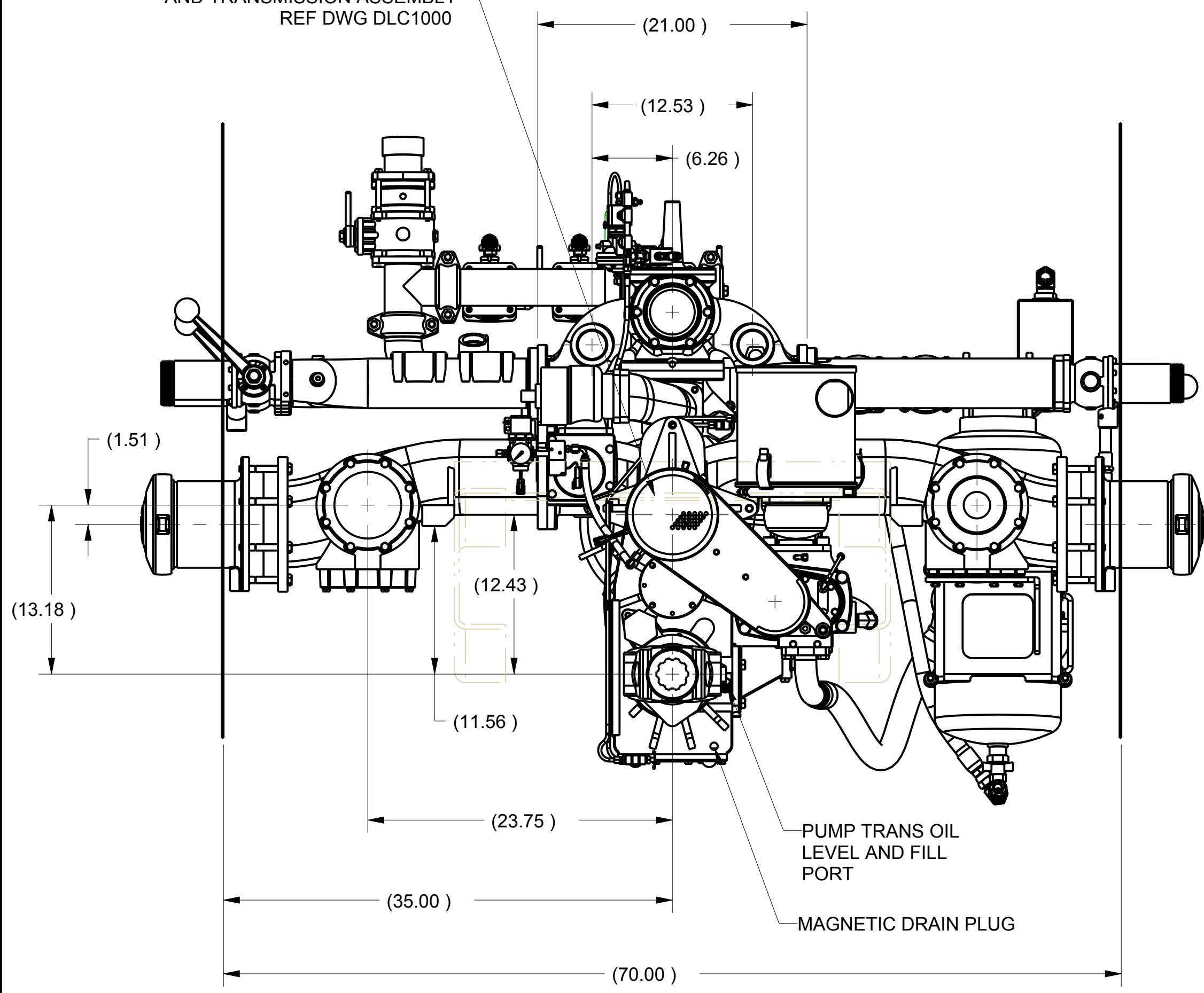


COMPRESSOR HEAT EXCHANGER/FILTER ASSEMBLY  
REF DWG DCM0106

STANDARD LDM PUMP FORWARD CONFIGURATION



BELT DRIVE CLUTCH AND TRANSMISSION ASSEMBLY  
REF DWG DLC1000



PUMP TRANS OIL LEVEL AND FILL PORT

MAGNETIC DRAIN PLUG

COOLER PLATE WATER DRAIN PORT

SIGHT GAGE  
OIL SEPARATOR TANK  
REF DWG DCM0801

COMPRESSOR MOUNTING BRACKET  
REF DWG DCM0700

TRANSMISSION COOLING PLATE ASSEMBLY  
REF DWG DGC0218

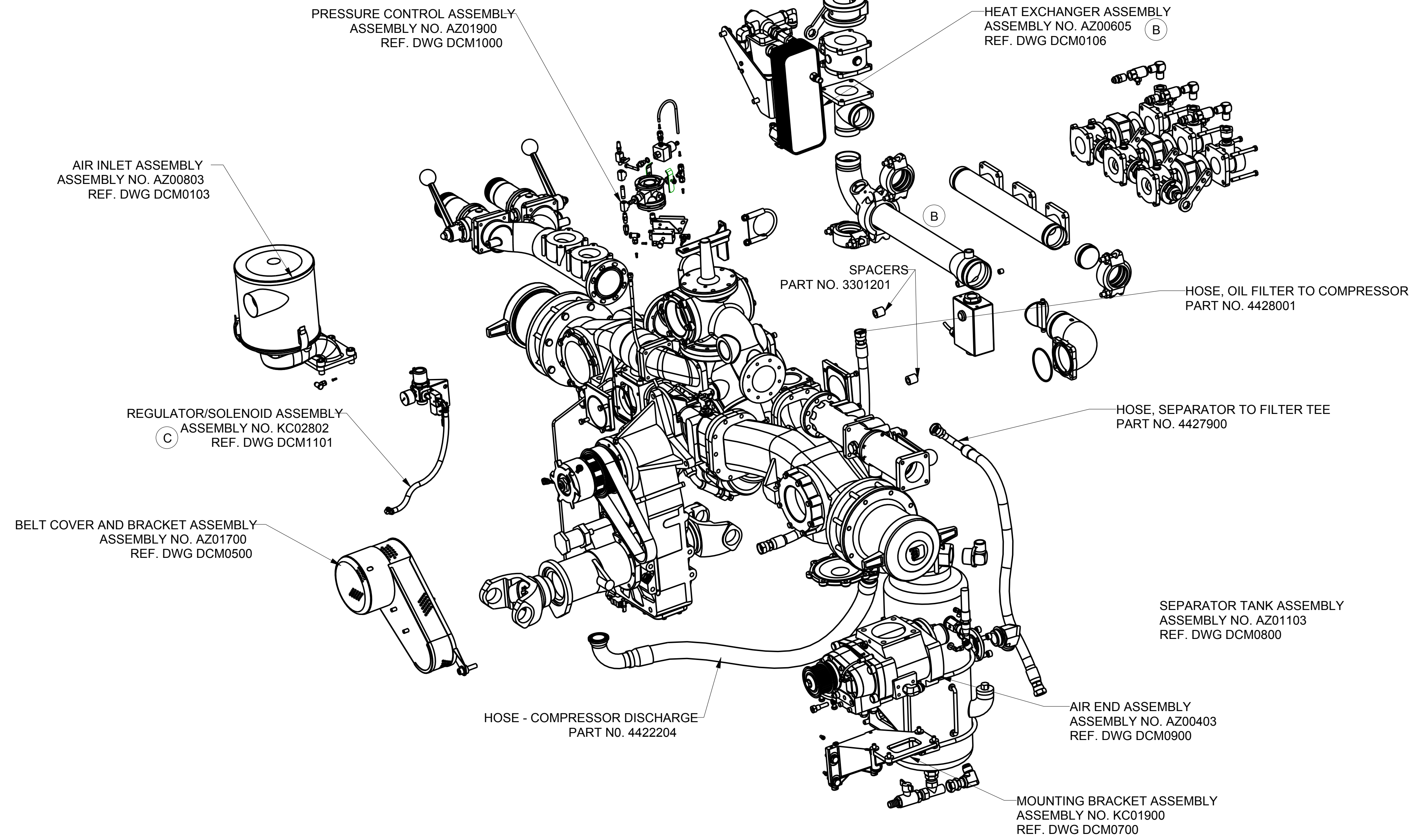
FRONT VIEW

REAR VIEW

REMOVE SHARP EDGES		INCH (MILLIMETER)	OLD PART NO.	TOLERANCE EXCEPT AS NOTED	W.S. Darley & Co. ITASCA, IL - CHIPPEWA FALLS, WI
MATERIAL DESCRIPTION: TBD	MATERIAL NO.	PATTERN NO.	00 ±.03 2000 ±.010 ANGLES ±.1°	LDMBC - LAYOUT BELT DRIVEN COMPRESSOR	DATE 15-Jun-99
THIS DESIGN IS THE PROPERTY OF W.S. DARLEY AND CO. - UNAUTHORIZED REPRODUCTION IS PROHIBITED	ALL DIMENSIONS IN INCHES UNLESS NOTED	DO NOT SCALE PRINT	DRN DWS CHKD TRCD	SCALE 1/8	DLD0502



REVISIONS				
LTR	DESCRIPTION	DATE	CHG NO.	APPR'D
B	REVISED HEAT EXCHANGER AND HOSE	04MAY01	2001-114	DWS
C	KC02802 REPLACED KC02800	22MAY01	2001-139	DWS
D	REPLACED SUCTION HEADS WITH 2810110 ADDED COVER ASSEMBLY	16JUN11	7433	EAS2
E	ADDED SPACERS - PART NO. 3301201	16JUN11	7433	EAS2



MODEL NAME	MDL CREATED	SHEET
DLD0502	05-JAN-1999	2/2 C

REMOVE SHARP EDGES	INCH [MILLIMETER]	THIRD ANGLE PROJECTION	OLD PART NO.	TOLERANCE EXCEPT AS NOTED .00 ±.03 .000 ±.010 ANGLES ±1°	 ITASCA, IL - CHIPPEWA FALLS, WI
MATERIAL DESCRIPTION: TBD				DR'N DWS CHKD - TRCD	
THIS DESIGN IS THE PROPERTY OF W.S. DARLEY AND CO. - UNAUTHORIZED REPRODUCTION IS PROHIBITED	ALL DIMENSIONS IN INCHES UNLESS NOTED	DO NOT SCALE PRINT	DATE 11-Oct-00	SCALE 1/8	DLD0502